

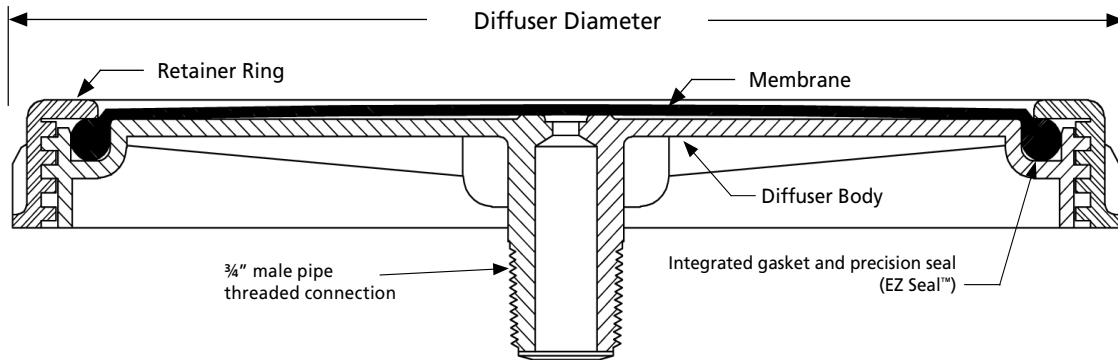


PRODUCT SPECIFICATIONS

# FlexAir™ Threaded Disc Fine Bubble Membrane Diffuser



- 9" (230 mm) & 12" (300 mm) diameter fine bubble disc diffusers
- All diffusers with standard 3/4" male pipe thread connection fits any pipe
- Triple-check valve design prevents entry of liquid/solids into air feed piping
- Resistant to fouling and plugging for low maintenance
- Glass-filled Polypropylene (GFPP) body for maximum chemical, temperature and UV resistance
- Standard EPDM membrane, PTFE MATRIX™ or PTFE-coated, silicone, and others available
- Patented EZ-Seal™ for quick membrane install



METRIC					ENGLISH				
Diffuser Type	Design Airflow m <sup>3</sup> N/h	Overall Diameter mm	Active Surface Area m <sup>2</sup>	Dry Weight kg	Diffuser Type	Design Airflow scfm	Overall Diameter in	Active Surface Area ft <sup>2</sup>	Dry Weight lb
7" Micro	0-4.3	229	0.024	0.50	7" Micro	0-2.5	9.0	0.26	1.1
7" High-Cap	0-8.5	229	0.024	0.50	7" High-Cap	0-5.0	9.0	0.26	1.1
9" Micro	0-9.5	273	0.038	0.63	9" Micro	0-6.0	10.7	0.41	1.4
9" High-Cap	0-16.0	273	0.038	0.63	9" High-Cap	0-10.0	10.7	0.41	1.4
12" Micro	0-16.0	336	0.059	0.82	12" Micro	0-10.0	13.2	0.64	1.8
12" High-Cap	0-29.0	336	0.059	0.82	12" High-Cap	0-18.0	13.2	0.64	1.8

# FlexAir™ Threaded Disc: Fine Bubble Diffuser



**Processes:**

- Biological Aeration
- Activated Sludge Processes
- Oxidation Ditch
- Sequence Batch Reactors (SBR)
- Membrane Bio Reactors (MBR)
- Moving Bed Bio Reactors (MBBR)
- Sludge Stabilization/Digestion
- Package Plants



**Applications:**

- Municipal Wastewater
- Industrial Wastewater
- Fixed Grid Systems
- Lift-Out Systems
- Floating Systems
- Tank Mixing
- High Oxygen Transfer
- Low Head Loss



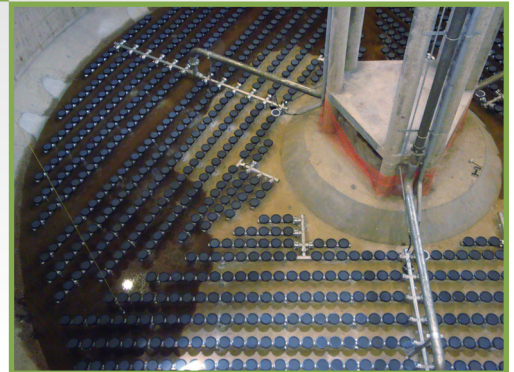
**Industries:**

- Food and Drink
- Dairy and Cheese
- Pulp and Paper
- Oil and Gas
- Animal Processing
- Leachate
- Energy and Power
- Pharmaceutical



EDI has demonstrated success in more than 7,000 installations in over 100 countries worldwide—serving over 400 million people.

Please contact your local office below for details of our proven products, systems, and processes.



**EDI Europe**

Design, Manufacturing & Warehouse  
Tel: +44-1295-810581  
edi.Europe@EnvironmentalDynamics.com

**Germany**

Design Office  
Tel: +49-(0)9073 921212  
edi.Germany@EnvironmentalDynamics.com

**Singapore (SEA)**

Design and Warehouse  
Tel: +65-6521-4536  
edi.Asia@EnvironmentalDynamics.com

**North America: Global Headquarters**

Design, Manufacturing and Warehouse  
Tel: +1-573-474-9456  
edi.NorthAmerica@EnvironmentalDynamics.com

**Mexico**

Design Office  
Tel: +52-011-521-55-2406-3337  
edi.Mexico@EnvironmentalDynamics.com

**India**

Design and Manufacturing Office  
Tel: +91-22-2422-4228  
edi.India@EnvironmentalDynamics.com

**Japan**

Design Office  
Tel: +81-3-5789-9140  
edi.Japan@EnvironmentalDynamics.com

© Environmental Dynamics International, Inc., All Rights Reserved.  
Due to a policy of continued product development, Environmental Dynamics International, Inc. reserves the right to later amend any published specification without notice.